

Description : Jupiter

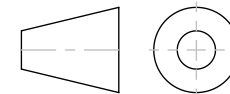
Code : AL5340

Scale : 1:4

SHEET 1 OF 2

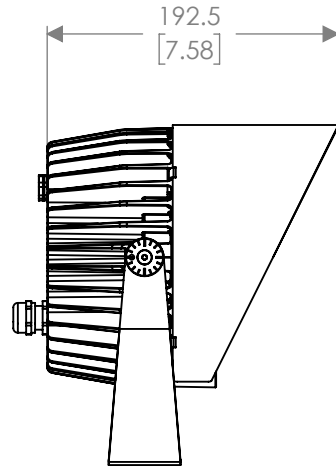
Revision : A-03

DIMENSIONS ARE IN MILLIMETERS [BRACKETED DIMENSIONS ARE IN INCHES]

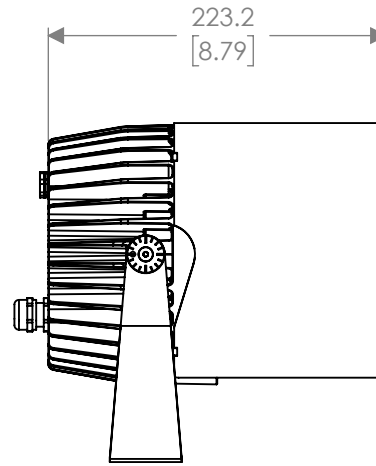


**GRIVEN** 

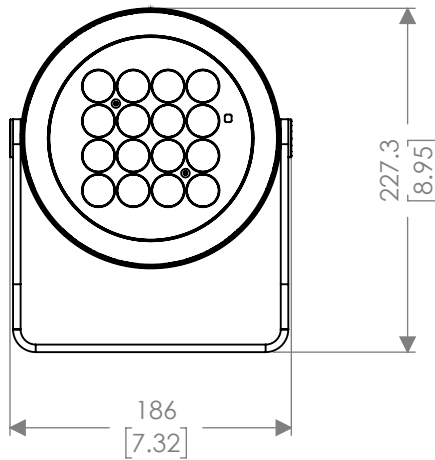
<http://www.griven.com>



With Visor AL8281



With Snoot AL8282



With 3G Bracket

Description : Jupiter

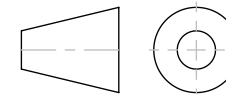
Code : AL5340

Revision : A-03

Scale : 1:5

SHEET 2 OF 2

DIMENSIONS ARE IN MILLIMETERS [BRACKETED DIMENSIONS ARE IN INCHES]



**GRIVEN** 

<http://www.griven.com>