

Description : GEA

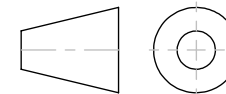
Code : AL8410

Revision : 01

Scale : 1:5

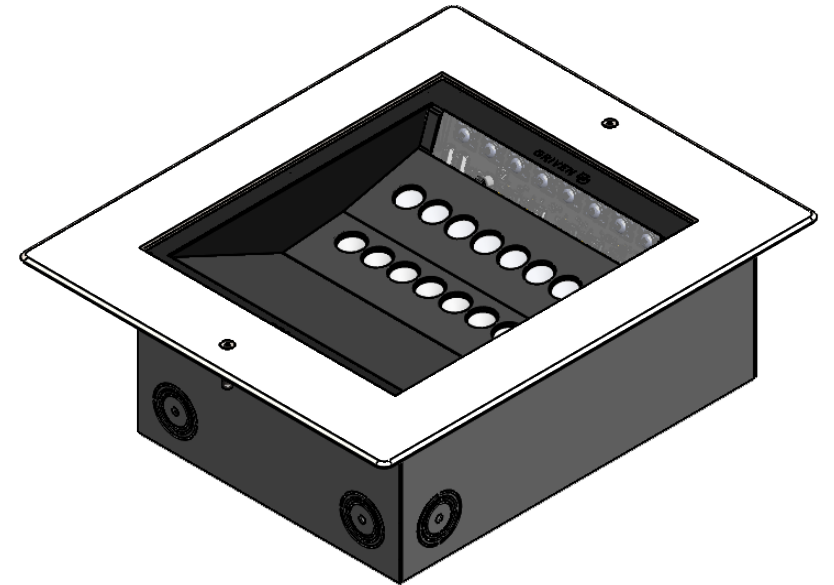
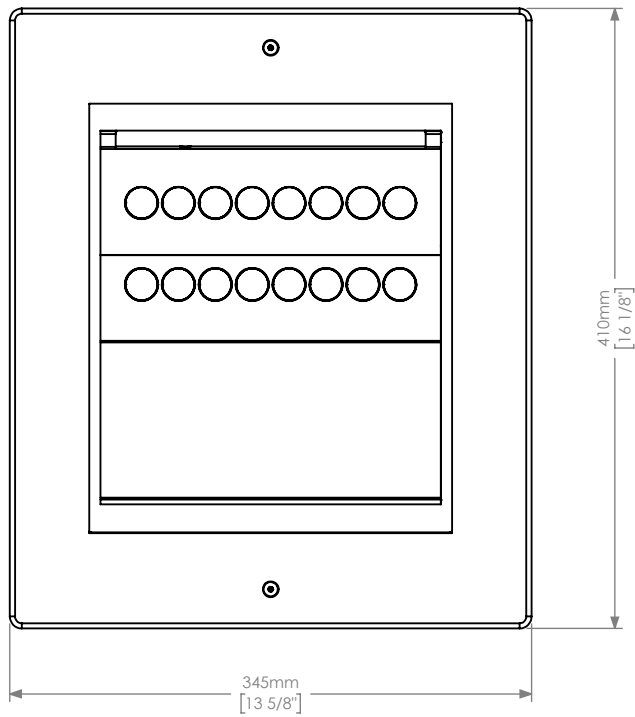
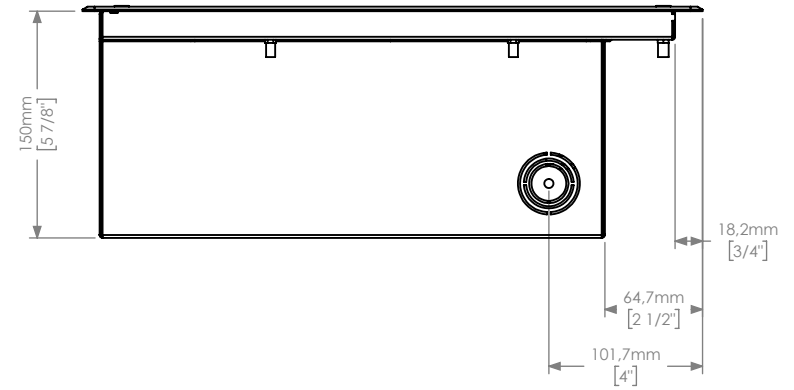
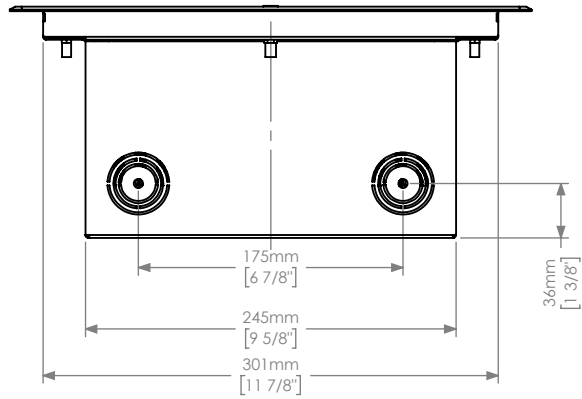
SHEET 1 OF 2

DIMENSIONS ARE IN MILLIMETERS [BRACKETED DIMENSIONS ARE IN INCHES]



GRIVEN 

<http://www.griven.com>



Description : GEA + FORMWORK

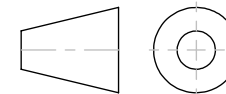
Code : AL8410 + AL8455

Scale : 1:5

SHEET 2 OF 2

Revision : 01

DIMENSIONS ARE IN MILLIMETERS [BRACKETED DIMENSIONS ARE IN INCHES]



GRIVEN 

<http://www.griven.com>