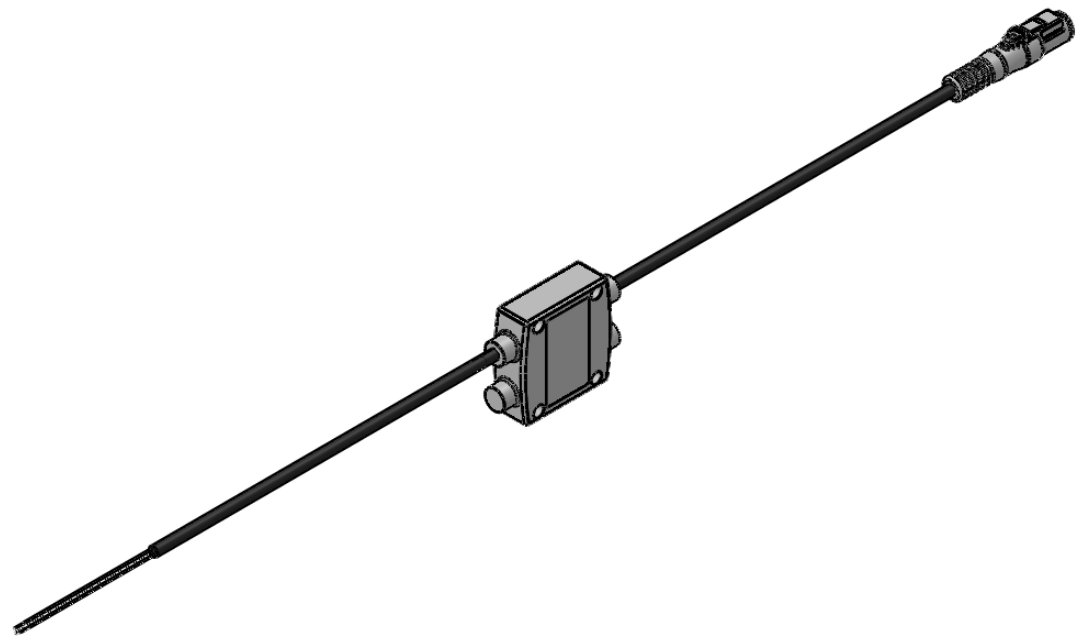


| CE Colors    | USE       |
|--------------|-----------|
| BROWN        | LIVE      |
| BLUE         | NEUTRAL   |
| YELLOW/GREEN | GROUND    |
| RED          | DMX DATA+ |
| BLACK        | DMX DATA- |
| WHITE        | DMX GND   |



|   |              |          |  |  |
|---|--------------|----------|--|--|
| Description : DMX Junction Box - AL5059C AL5059M - DMX Junction Box |              |          |  |  |
| Code : AL5059C / AL5059M  | Scale : 1:3  | Weight : |  |  |
| Revision : A-01   | SHEET 1 OF 1 | Note :   |  |  |