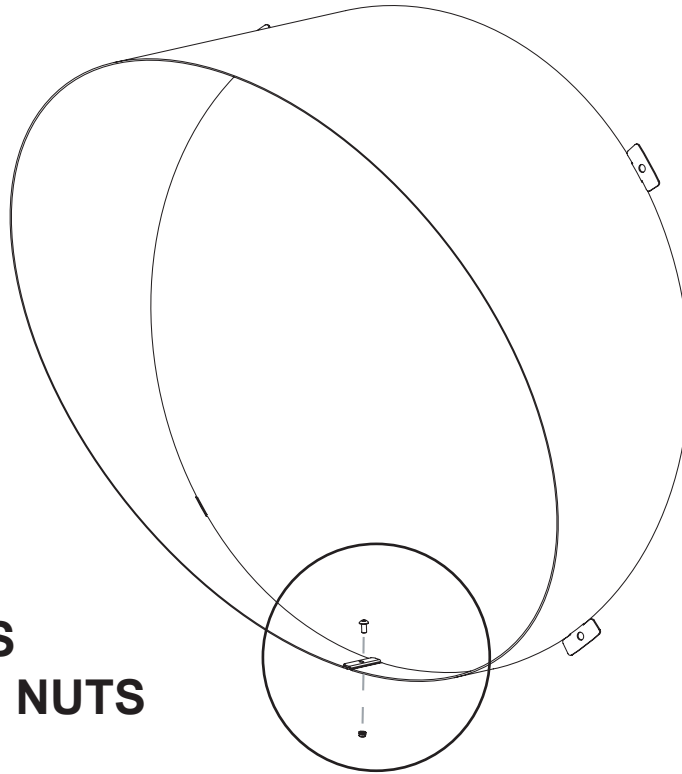
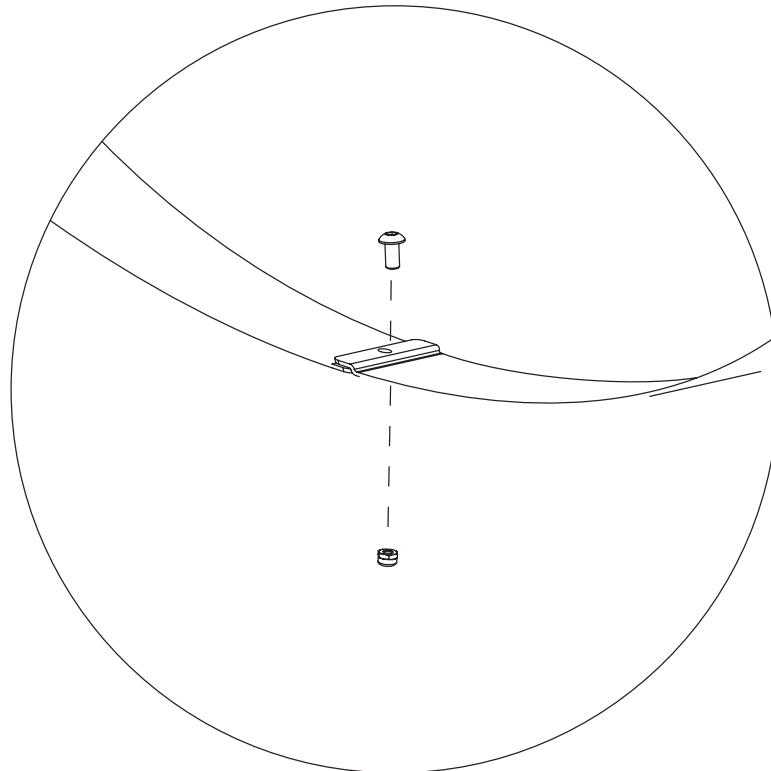


### STEP1 : ASSEMBLE THE ANTI GLARE VISOR

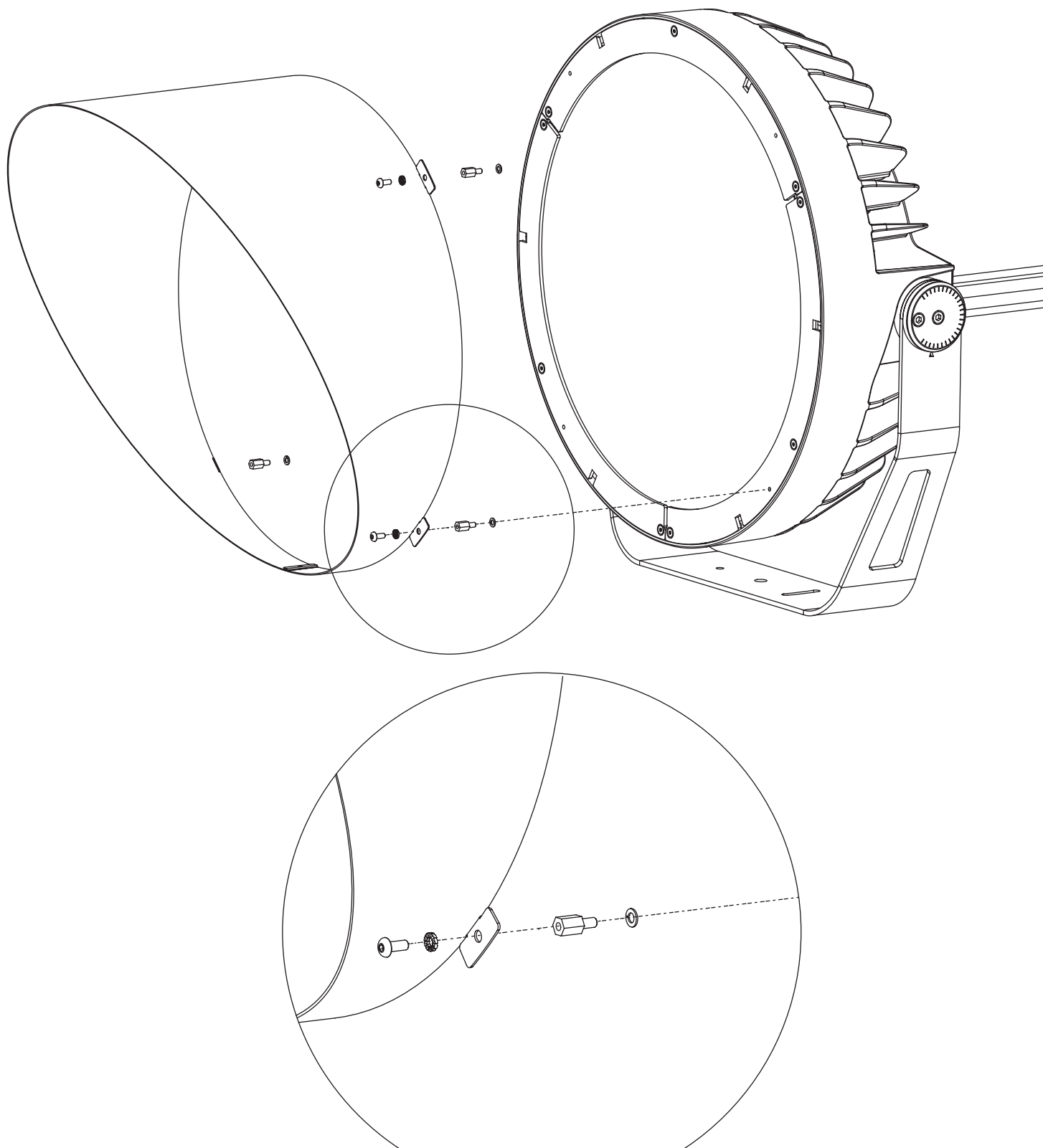


**N.1 M3 x 6 SCREWS**  
**N.1 SELF LOCKING NUTS**



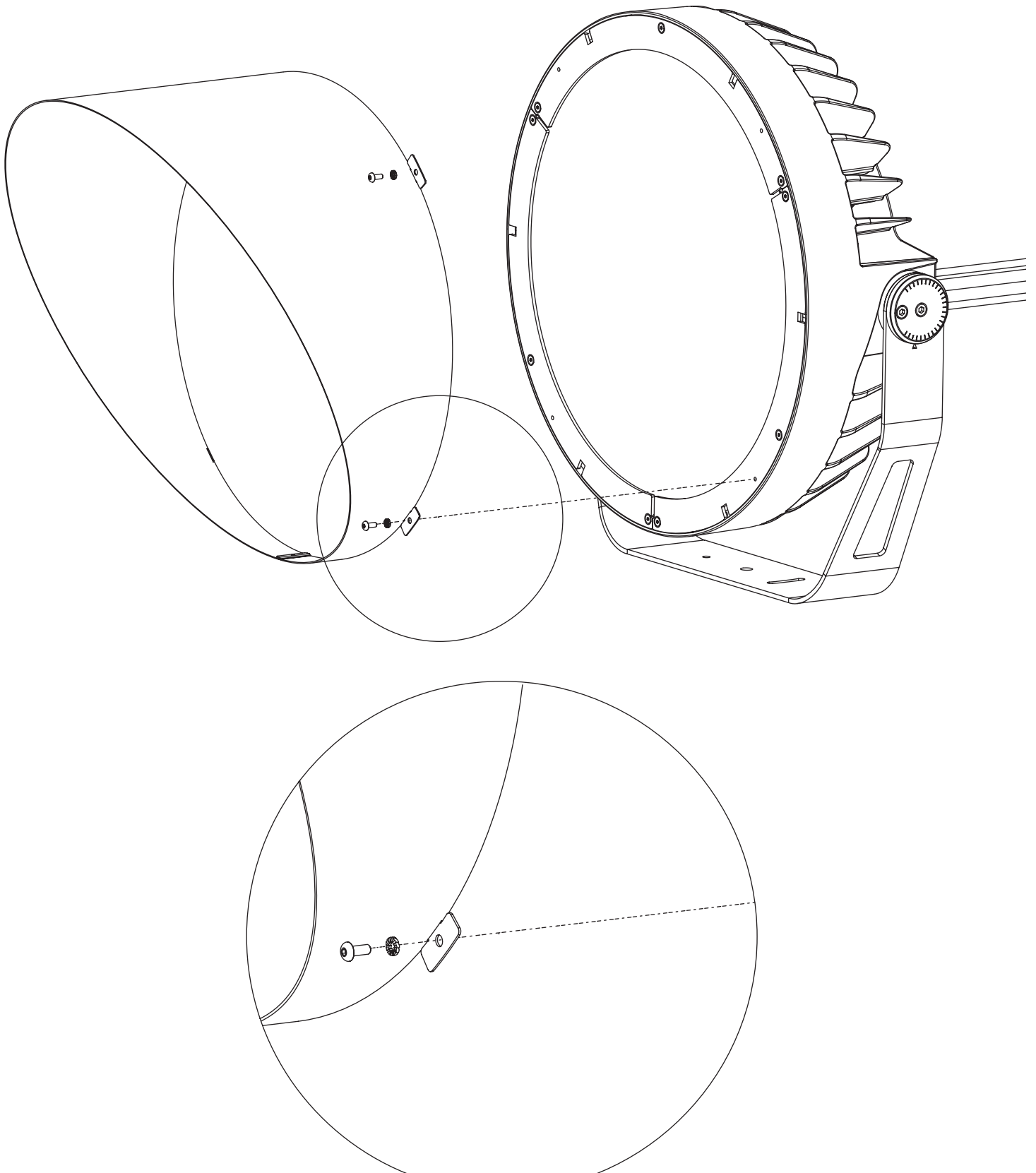
## STEP2 :FIX THE ANTIGLARE TO THE PROJECTOR

### OPTION A: Fixing with spacers

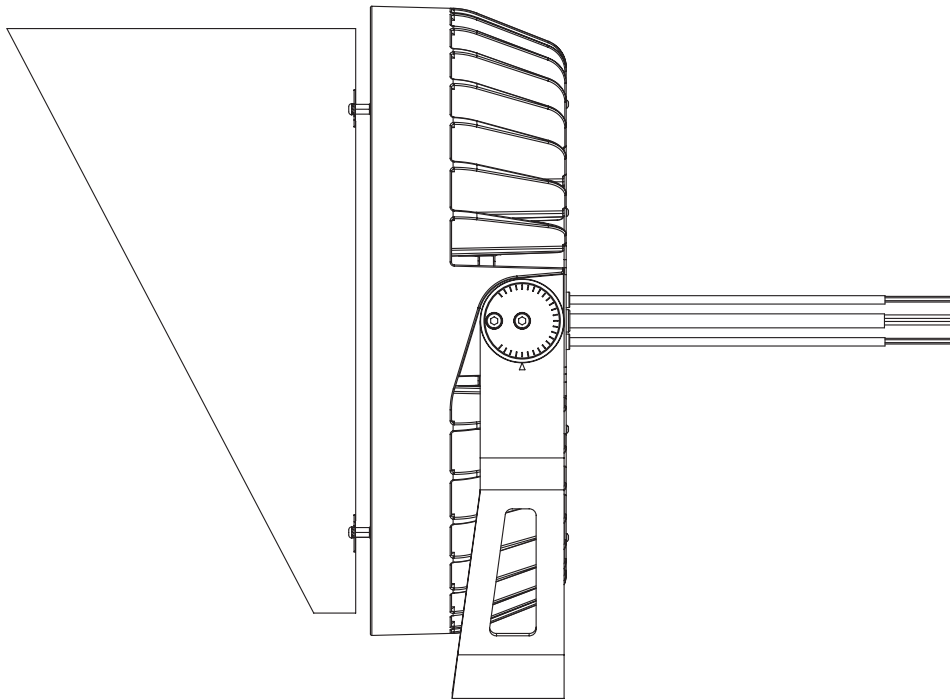


**USE THE SCREWS AND SPACERS KIT PROVIDED WITH THE SNOOT**

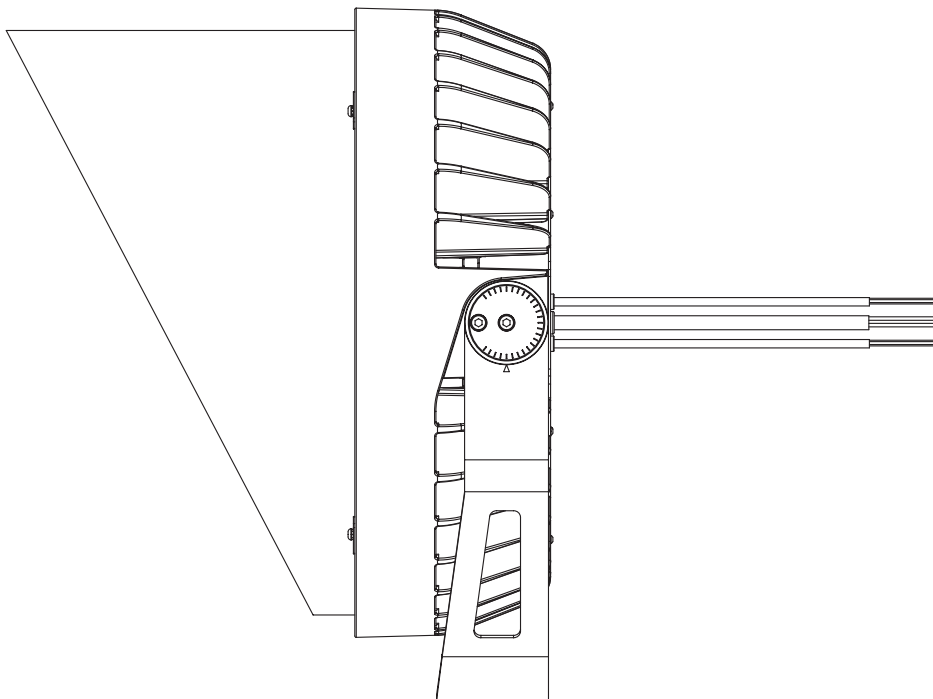
## OPTION B: Fixing without spacers



**USE THE SCREWS PROVIDED WITH THE PROJECTOR**



### OPTION A: Snoot with spacers (dirt leak out)



### OPTION B: Snoot without spacers