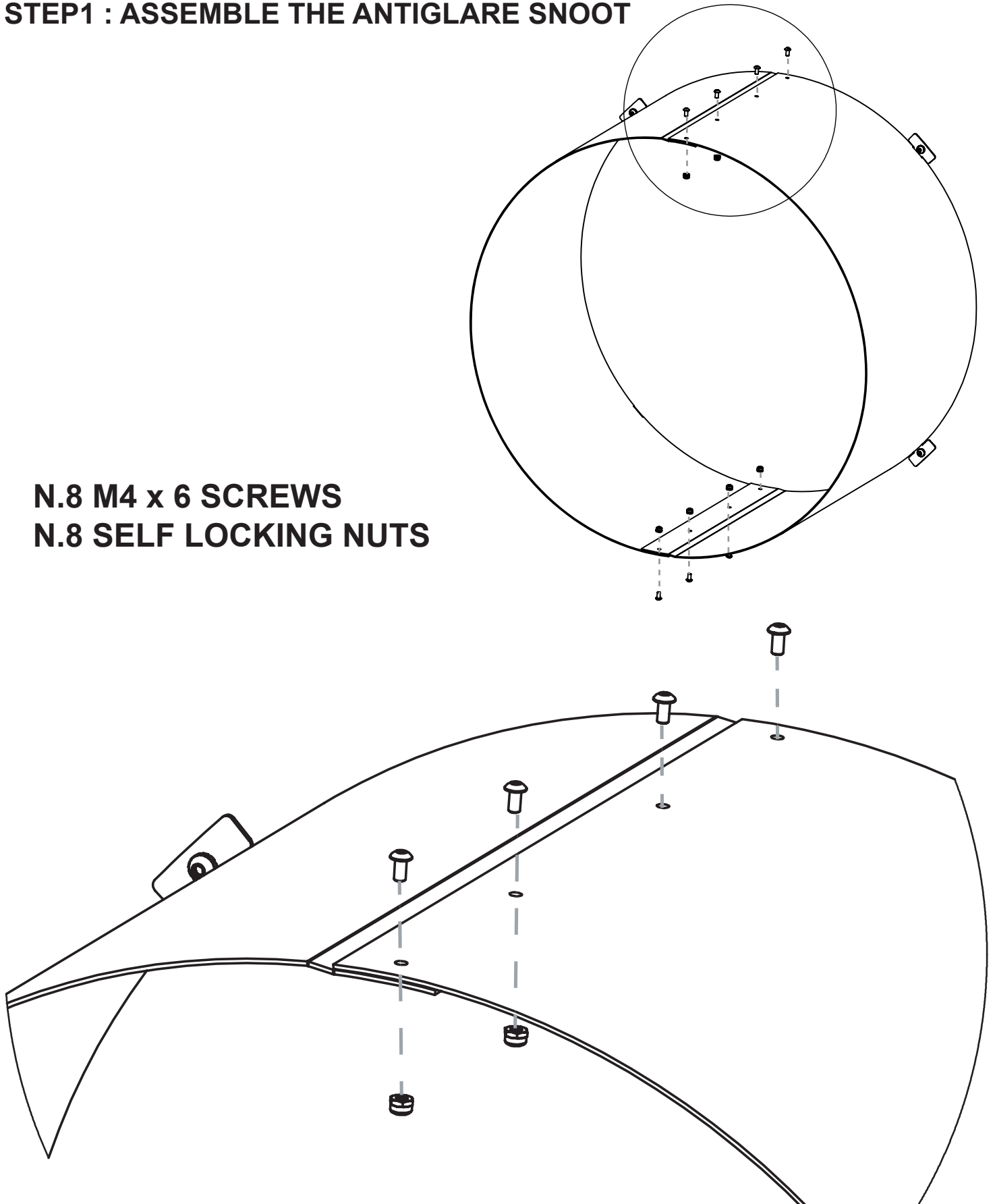


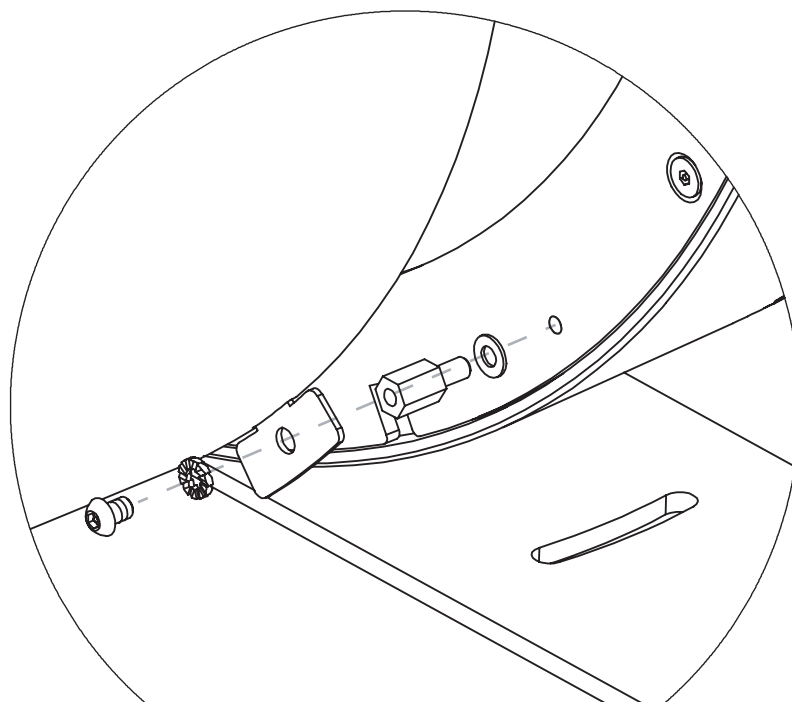
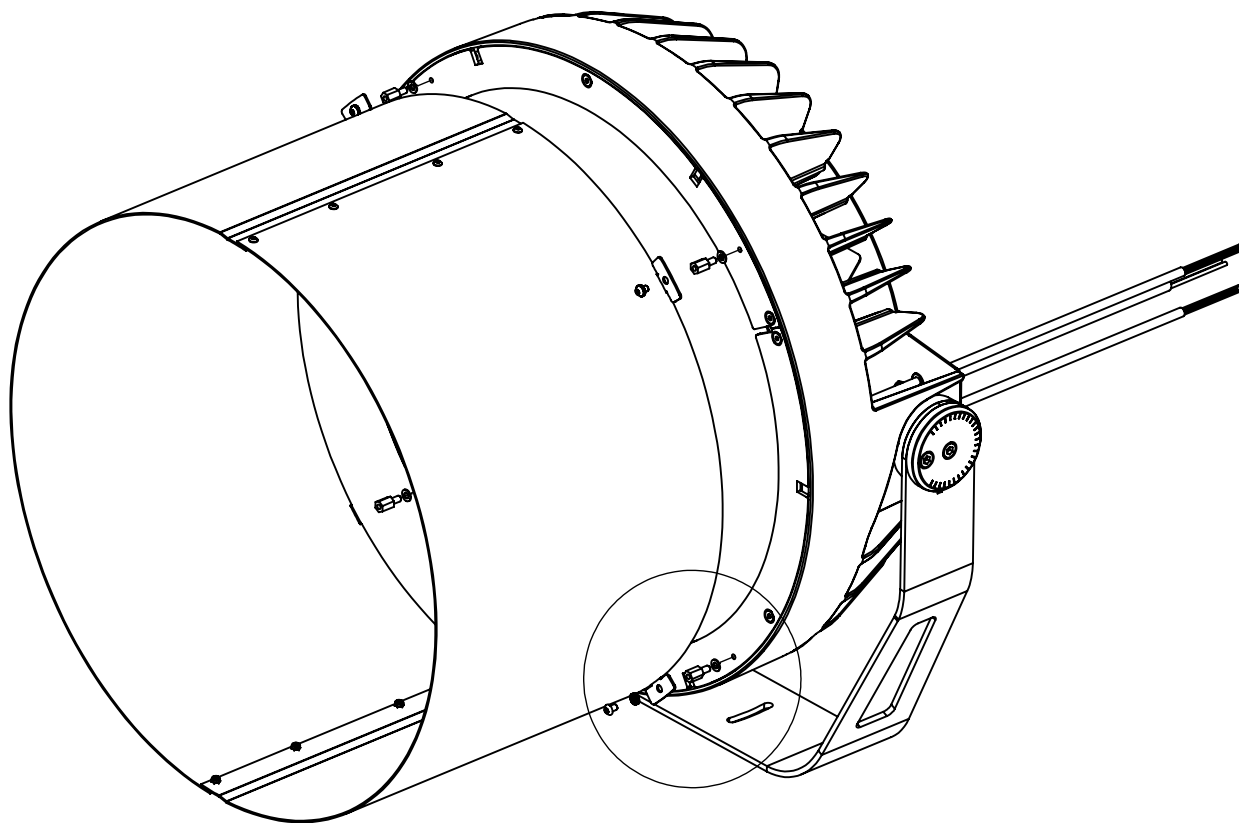
STEP1 : ASSEMBLE THE ANTI GLARE SNOOT

N.8 M4 x 6 SCREWS
N.8 SELF LOCKING NUTS



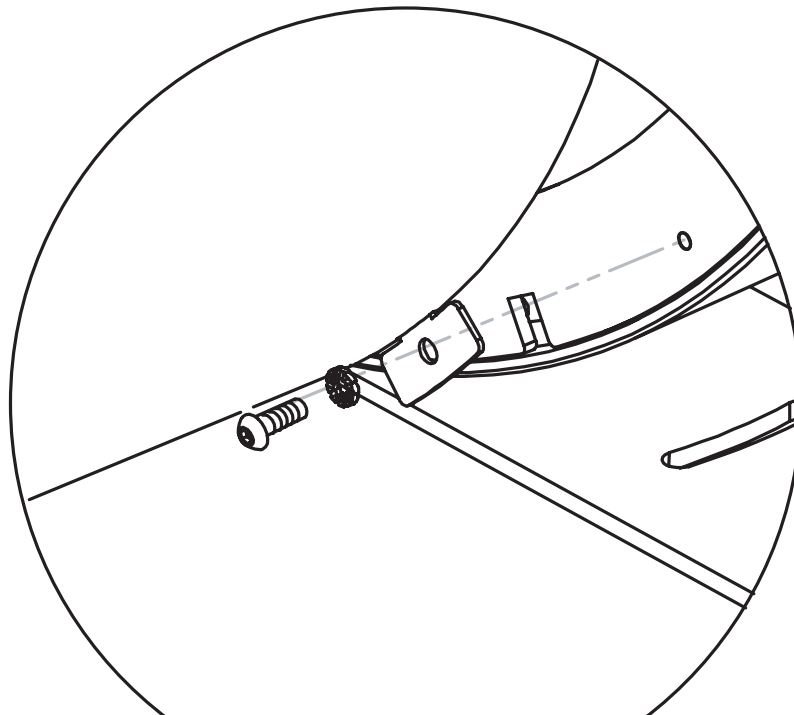
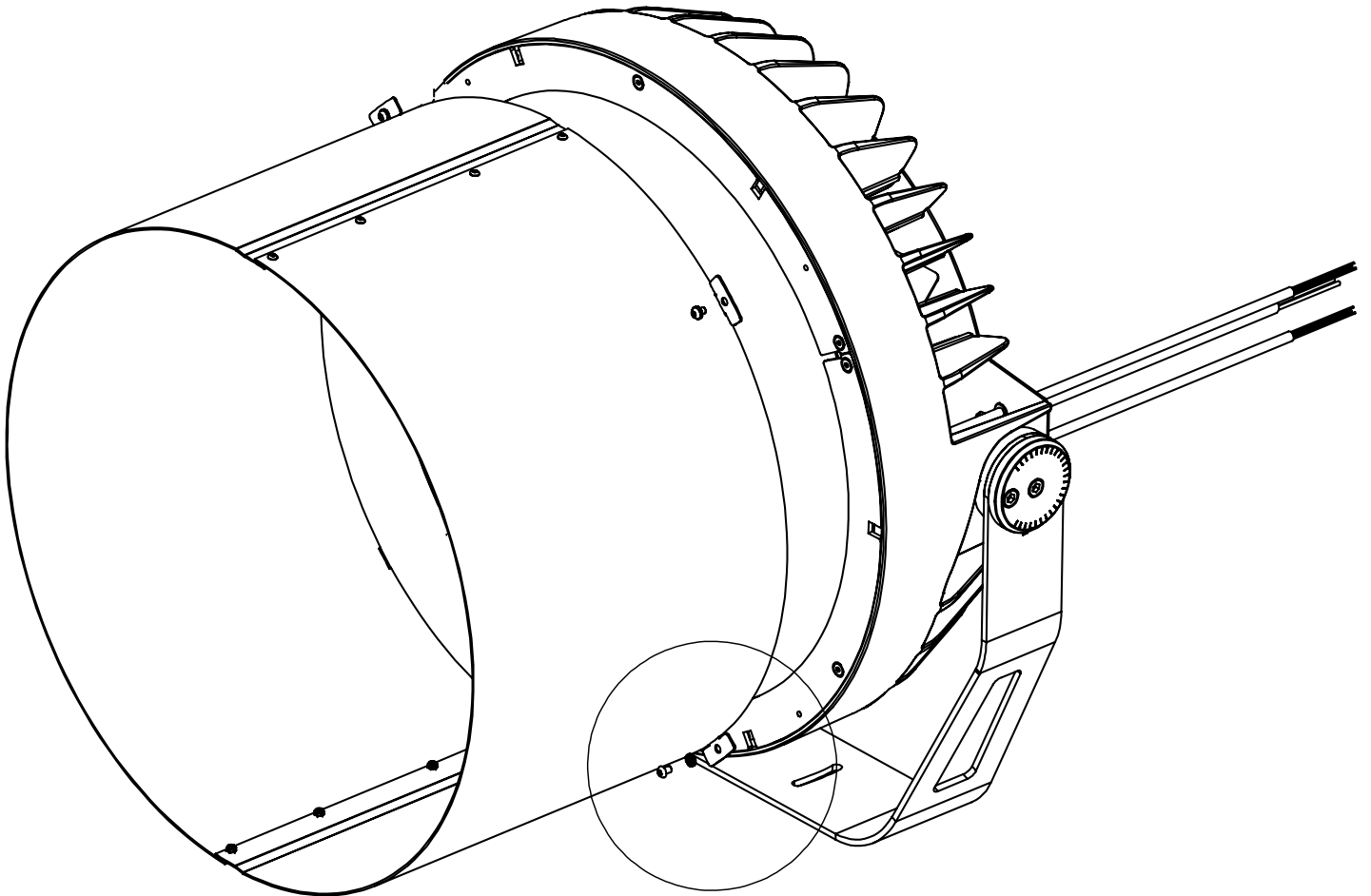
STEP2 :FIX THE ANTIGLARE TO THE PROJECTOR

OPTION A: Fixing with spacers

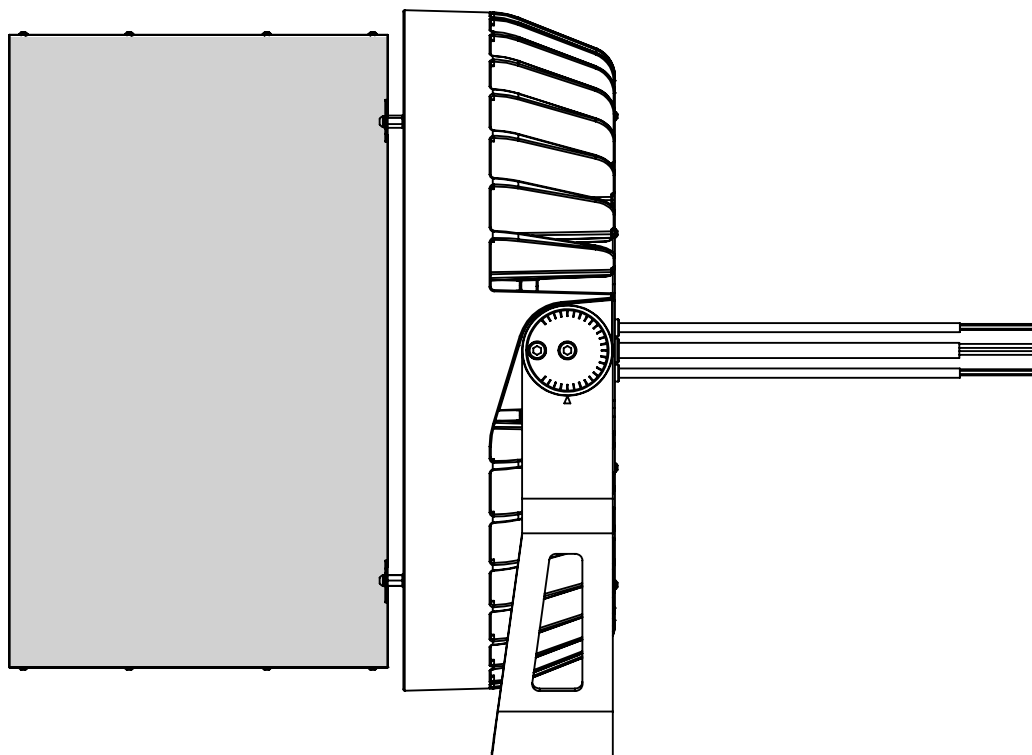


USE THE SCREWS AND SPACERS KIT PROVIDED WITH THE SNOOT

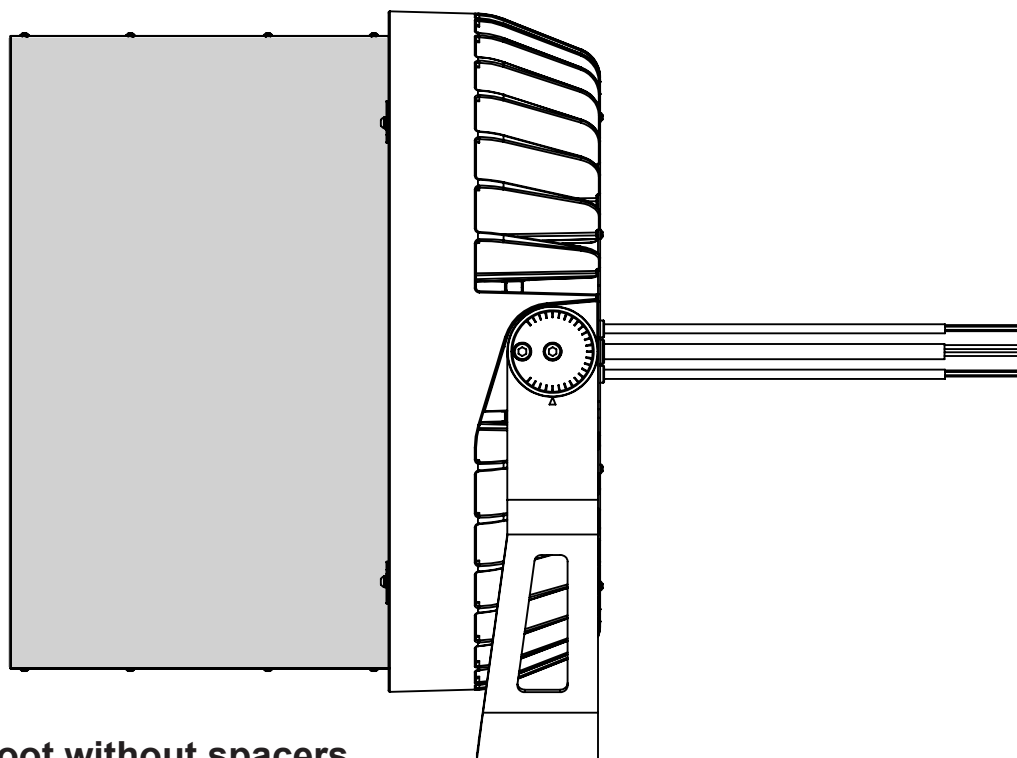
OPTION B: Fixing without spacers



USE THE SCREWS PROVIDED WITH THE PROJECTOR



OPTION A: Snoot with spacers (dirt leak out)



OPTION B: Snoot without spacers