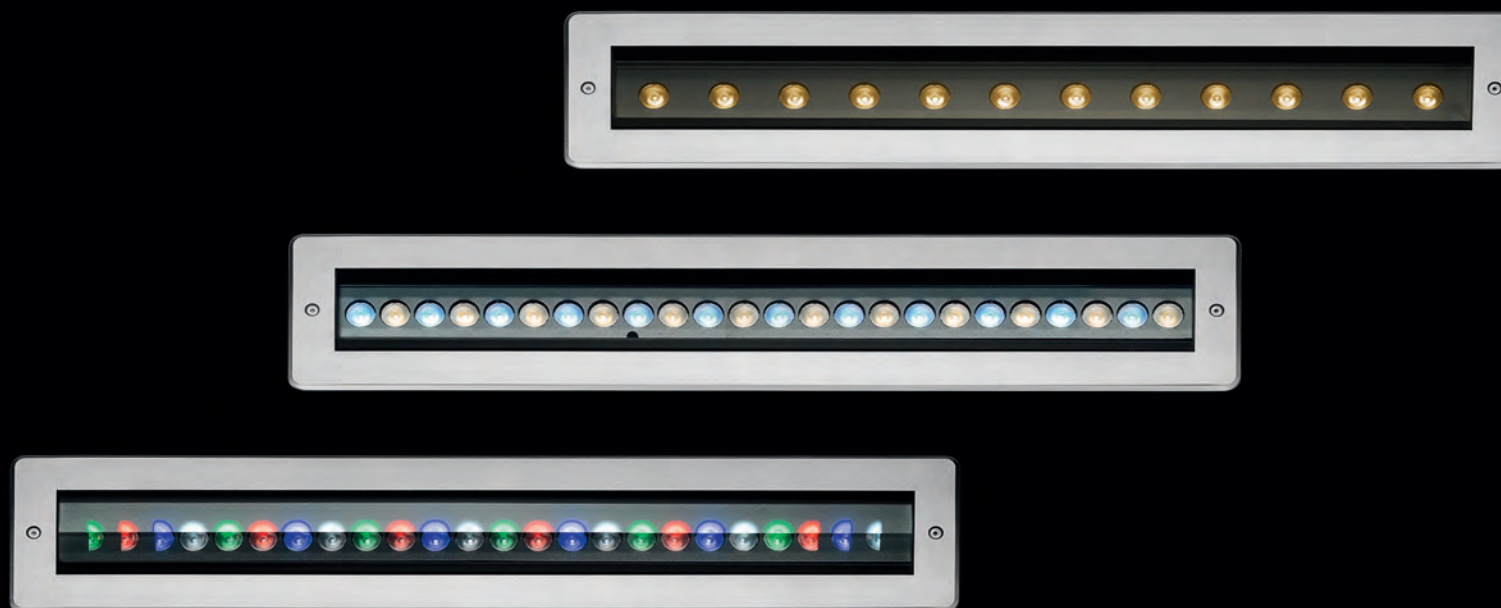






# PARADE L RECESSED



## DESCRIPTION

Specific for a comfortable and durable in-ground use in pedestrian areas, PARADE L RECESSED features superb output and real uniform colour coverage purposely on close-up installations. Its super flux, high luminance and versatile optical configuration delivers perfect wall grazing effects in coloured or white light. Featuring one-foot-long independent pixel clusters, the alternative independent-pixel version displays eye-catching lighting shows through the dynamic rendering of any graphic pattern or visual animation. The additional solid white DALI/ON-OFF release is the ideal solution for those applications which do not require RDM/DMX functions.

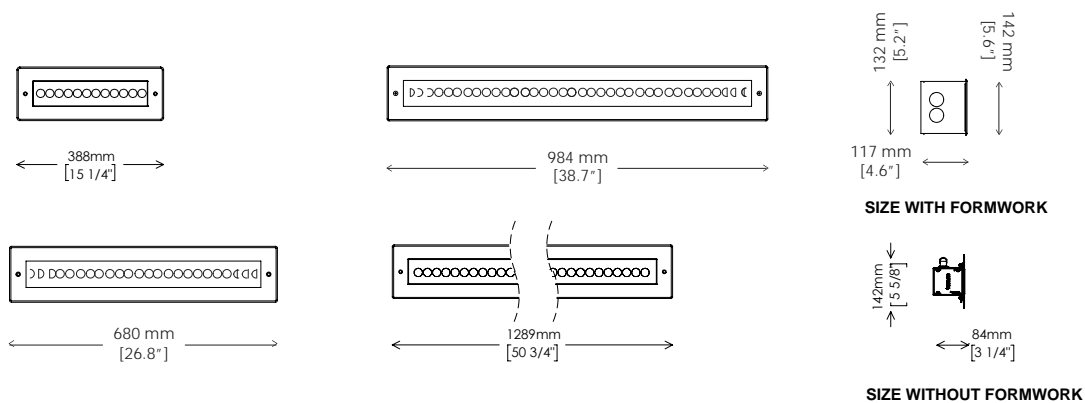
## MAIN FEATURES

- Max. delivered lm output:  
L1: 2223 lm / 117 lm/W   L2: 4221 lm / 111 lm/W  
L3: 6331 lm / 111 lm/W   L4: 8664 lm / 114 lm/W
- Size: (LxWxD)  
388/680/984/1289x142x84 mm  
15.3/26.8/38.7/50.7x5.6x3.3"  
(without formwork to be purchased separately)
- Control system: DMX-RDM, DALI DT8, DALI, ON-OFF, self-addressing, independent pixel, remote wireless data
- Walk-over recessed linear modules for uniform colour coverage on close-up installations

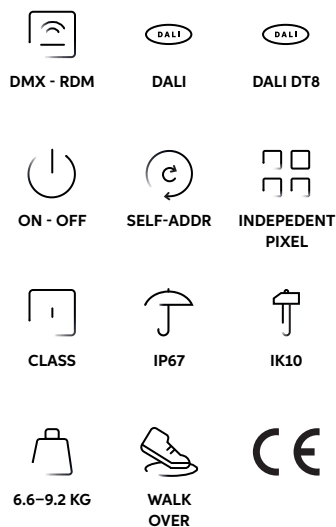
## LED COLOUR CONFIGURATIONS



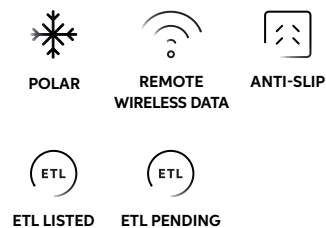
# PARADE L RECESSED



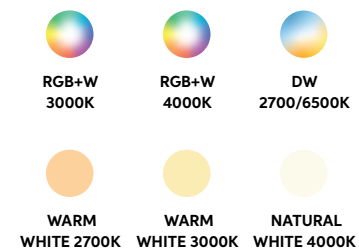
## FEATURES



## OPTIONS



## LED COLOUR CONFIGURATIONS



## MORE INFO



## CODES

AL5063 PARADE L 1 RECESSED  
AL5068 PARADE L 2 RECESSED  
AL5073 PARADE L 3 RECESSED  
AL5078 PARADE L 4 RECESSED

AL5280 PARADE LB 2 RECESSED  
AL5285 PARADE LB 3 RECESSED

## PERFORMANCE

	WATT	MAX LM	LM/WATT
PARADE L 1 REC RGBW	20	920	46
PARADE L 1 REC DW	19	2223	117
PARADE L 1 REC W	19	2109	111
PARADE L 2 REC RGBW	38	2087	55
PARADE L 2 REC DW	38	4221	111
PARADE L 2 REC W	38	4203	111
PARADE LB 2 REC W	27	2997	111
PARADE L 3 REC RGBW	58	2538	44
PARADE L 3 REC DW	57	6331	111
PARADE L 3 REC W	57	6331	111
PARADE LB 3 REC W	40	4440	111
PARADE L 4 REC RGBW	78	3432	44
PARADE L 4 REC DW	76	8664	114
PARADE L 4 REC W	75	8325	111

## BEAM ANGLE REFERENCE

	RGBW	DW/W
SPOT	9°	12°
NARROW	12°	15°
MEDIUM	26°	25°
WIDE	43°	48°
EXTRA WIDE	60°	59°
ELLIPTICAL	12° x 42°	14° x 39°
ELLIPTICAL WIDE	25° x 45°	23° x 38°
WALL WASH	13° (5° incline) x 37°	19° (5° incline) x 38°
ELLIPTICAL 1	53° x 14°	
ELLIPTICAL 2	65° x 20°	
ELLIPTICAL 3	65° x 40°	





KSA – Awtad Center, Riyadh